

Backup-Recovery Solutions

Traditional backups have relied on tape because it is cost effective for fast backups and getting data offsite, but it is slow and unreliable for restores--the main reason backups happen in the first place. Other types of data protection techniques rely heavily on disk (replication, mirroring and snapshots are prime examples). We have found that IT managers reserve these marginally expensive methods for critical data with high availability and rock-solid recovery requirements. Times have changed and Disk technology as well as prices have improved for better.

Our field-implemented & proven solutions offer both – standard Netbackup powered Robotic tape infrastructure for mid-tiered backup-recovery requirements, and, a slightly more robust ATA based *Disk-to-Disk-to-tape* schema for larger Databases including Data warehouse applications and *Virtual Tape Libraries* for large data-sets.

Enterprise Backup Recovery Infrastructure

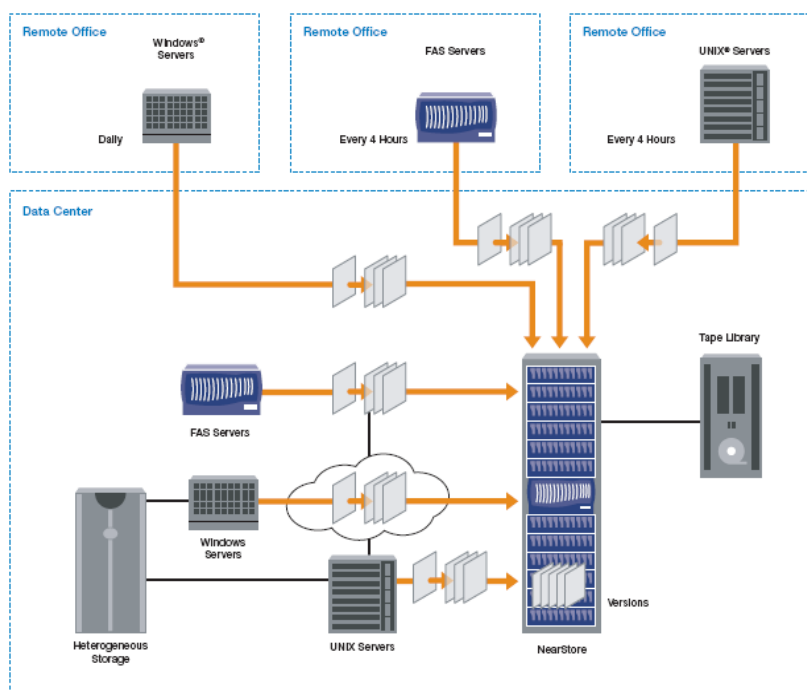


Figure-1B - A typical Heterogeneous IT infrastructure consolidated to NetApp NearStore and Eventually backed up to Tape Library via NDMP.

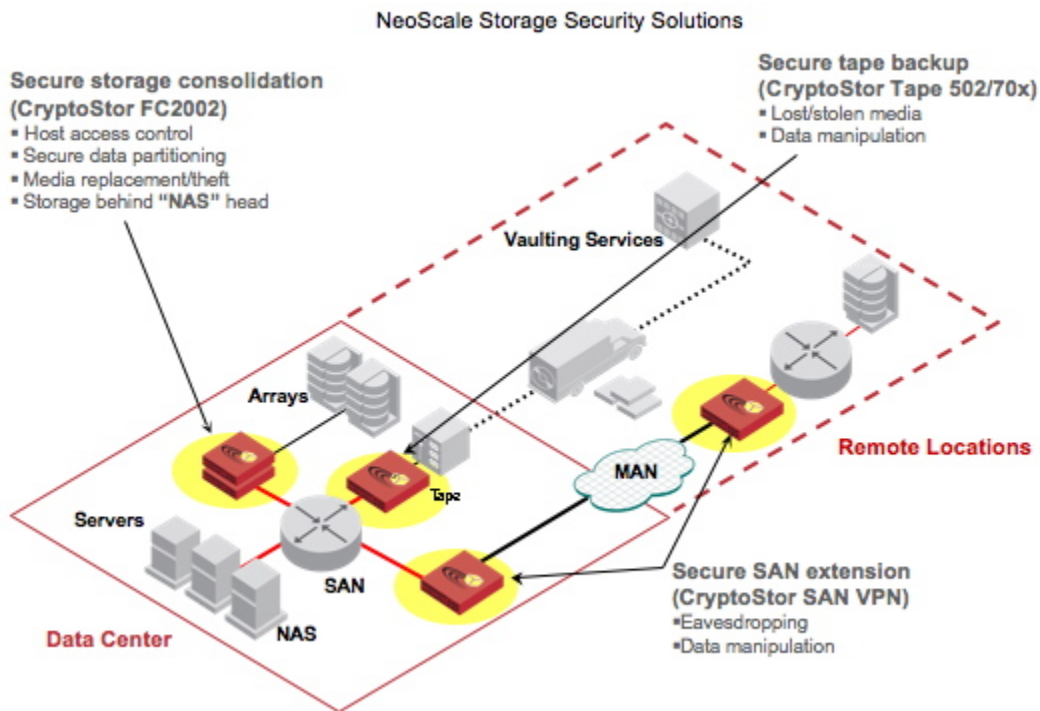
At Business Links we realize that Real world organizations tend to be multi-vendor shops. Heterogenous environments are a fact of doing business today. Our solutions account for such realities and specialize in delivering integrated heterogeneous multi-vendor systems and storage technologies in support of Enterprise backup-recovery infrastructure builds. Our current VTL solutions offer both compression & encryption.

Virtual Tape Solutions

At Business Links we think any design or implementation of Backup-recovery infrastructure would be considered incomplete without the inclusion of Virtual Tape Library technology component. VTL is the emerging technology in the backup-recovery world. Our engineers are constantly engaged with industry innovators and new product offerings that make good value propositions for our customers. Most VTL offerings if not all are packaged with a hardware compression engine to provide a more predictable and compressed backup image – a definite long-term cost saving for your organization.

VTL & Data Security Emerging technologies from vendors such as DeCru, Neoscale, Sepaton, and Diligent provide state-of-the-art compression and encryption solutions to address most if not all data security concerns. Decru DataFort is an encryption appliance that fits transparently into NAS or SAN environments, securely encrypting and decrypting data at wire-speed whereas Neoscale's Cryptostor seamlessly integrates with enterprise backup environments such as Veritas Netbackup and Legato.

Business Links specializes in both data security technologies (NeoScale & Deligent) and provides you the most appropriate solution for your enterprise. Both security engines are application-independent, vendor-agnostic and hence can be seamlessly integrated into your existing network infrastructure. Our value-added services in this area empower enterprises in fully leveraging the benefits of networked storage, with the confidence that their data assets are secure at all times.



Cryptostor compression & encryption technologies are trademarked & owned by Neoscale Corp.